



**NEWEX**  
**Experience New**

**NEWEX INTERNATIONAL CO., LTD**

**PHILEXI is a trademark of NEWEX INTERNATIONAL CO., LTD**

Sourcing Manager/ Sales Manager: Mr. Justin

Whatsapp/Mobile/Wechat: +8613928822021

Skype ID: liangshizong

Email: [justin@philexi.com](mailto:justin@philexi.com), [justin.liang@newexintl.com](mailto:justin.liang@newexintl.com)

***Hongkong Office Address:***

FLAT/RM 02, 7/F, SPA CENTRE,  
NO.53-55 LOCKHART ROAD,  
WAN CHAI, HONG KONG

***Guangzhou Office Address:***

Room 505, BLDG A, Hengda Business  
Center, 3rd Bigui Road, Luopu Street,  
Panyu District, Guangzhou, China

ENGINEERING  
TOMORROW

*Danfoss*

Quick reference

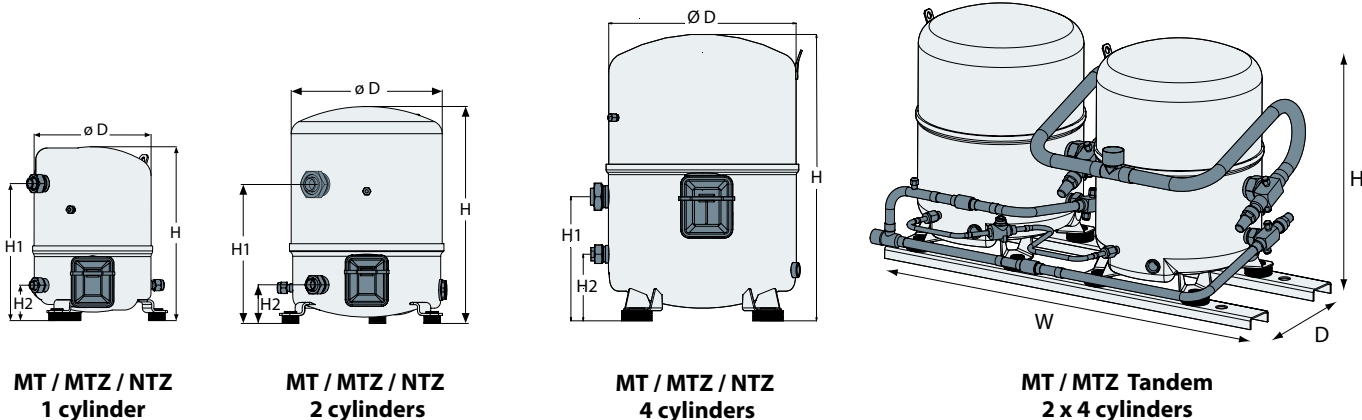
# Maneurop<sup>®</sup> reciprocating compressors **MT - MTZ - NTZ**

60 Hz - R404A - R507 - R407A/C/F - R134a - R22 - R417A



**Quick reference**

**Dimensions**



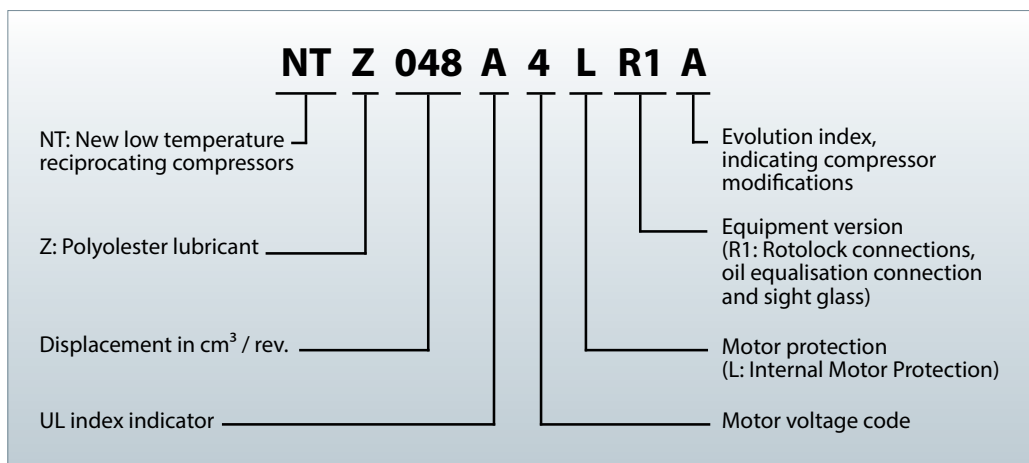
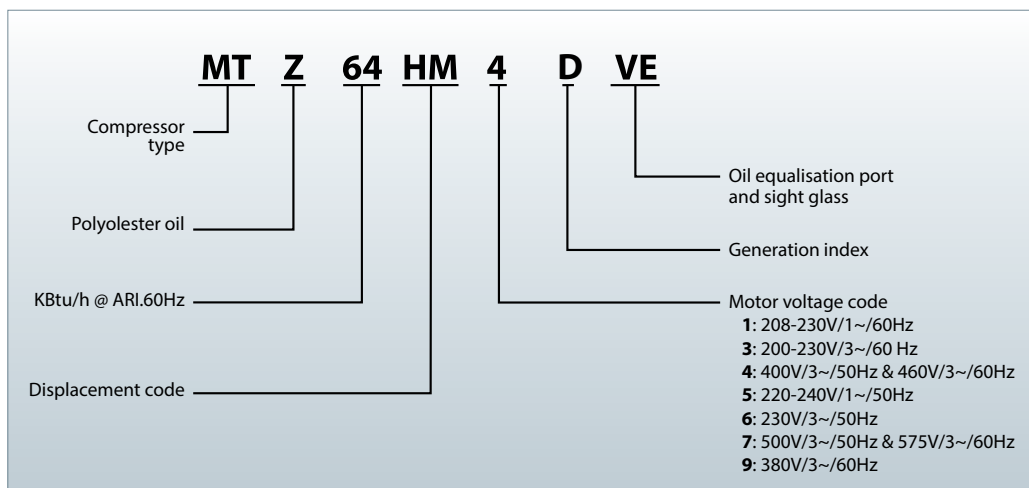
Single compressors (all dimensions in mm)

	D	H	H1	H2
1 cylinder	224	333 / 358	263	68
2 cylinders	288	413	265	74
4 cylinders	352	519 / 540	233	128

Tandem model (all dimensions in mm)

	H	D	W
2 x 4 cylinders	544/565	515	925

**Nomenclature**



**Quick reference**
**Code numbers for ordering single pack compressors**

Model	1	3	4	7	9	Swept volume cm <sup>3</sup> /rev	Displacement m <sup>3</sup> /h at 2900 rpm	Cylinder number	Oil charge dm <sup>3</sup>	Net weight kg	
	208-230/1/60	200-230/3/60	460/3/60 400/3/50	575/3/60 500/3/50	380/3/60						
Low back pressure applications	NTZ048	120F0072	120F0026	120F0001		120F0168	48	8.4	1	0.95	21
	NTZ068	120F0073	120F0027	120F0002		120F0169	68	11.8	1	0.95	23
	NTZ096	120F0074	120F0028	120F0003			96	16.7	2	1.8	35
	NTZ108	120F0075	120F0029	120F0004		120F0170	108	18.7	2	1.8	35
	NTZ136	120F0076	120F0030	120F0005		120F0171	136	23.6	2	1.8	35
	NTZ215		120F0031	120F0006		120F0172	215	37.5	4	3.9	62
	NTZ271		120F0032	120F0007		120F0173	271	47.3	4	3.9	64
Medium -High back pressure applications	MT018	MT18-1VI	MT18-3VI	MT18-4VI			30	5.3	1	0.95	21
	MT022	MT22-1VI	MT22-3VI	MT22-4VI		MT22-9VI	38	6.6	1	0.95	21
	MT028	MT28-1VI	MT28-3VI	MT28-4VI			48	8.4	1	0.95	23
	MT032	MT32-1VI	MT32-3VI	MT32-4VI		MT32-9VI	54	9.4	1	0.95	24
	MT036	MT36-1VI	MT36-3VI	MT36-4VI			60	10.5	1	0.95	25
	MT040	MT40-1VI	MT40-3VI	MT40-4VI			68	11.8	1	0.95	26
	MT044		MT44-3VI	MT44-4VI		MT44-9VI	76	13.3	2	1.8	37
	MT050	MT50-1VI	MT50-3VI	MT50-4VI		MT50-9VI	86	14.9	2	1.8	37
	MT056	MT56-1VI	MT56-3VI	MT56-4VI	MT56-7VI	MT56-9VI	96	16.7	2	1.8	39
	MT064	MT64-1VI	MT64-3VI	MT64-4VI		MT64-9VI	108	18.7	2	1.8	39
	MT072		MT72-3VI	MT72-4VI		MT72-9VI	121	21.0	2	1.8	40
	MT080		MT80-3VI	MT80-4VI		MT80-9VI	136	23.6	2	1.8	40
	MT100		MT100-3VI	MT100-4VI	MT100-7VI	MT100-9VI	171	29.8	4	3.9	60
	MT125		MT125-3VI	MT125-4VI	MT125-7VI	MT125-9VI	215	37.5	4	3.9	64
	MT144		MT144-3VI	MT144-4VI	MT144-7VI	MT144-9VI	242	42.1	4	3.9	67
	MT160		MT160-3VI	MT160-4VI	MT160-7VI	MT160-9VI	272	47.3	4	3.9	67
	MTM200			MTM200T4SA			2 x 171	2 x 29.8	2 x 4	2 x 3.9	134
	MTM250			MTM250T4SA			2 x 215	2 x 37.5	2 x 4	2 x 3.9	142
	MTM288			MTM288T4SA			2 x 242	2 x 42.1	2 x 4	2 x 3.9	148
	MTM320			MTM320T4SA			2 x 272	2 x 47.3	2 x 4	2 x 3.9	148
	MTZ018	MTZ18-1VI	MTZ18-3VI	MTZ18-4VI			30	5.3	1	0.95	21
	MTZ022	MTZ22-1VI	MTZ22-3VI	MTZ22-4VI		MTZ22-9VI	38	6.6	1	0.95	21
	MTZ028	MTZ28-1VI	MTZ28-3VI	MTZ28-4VI		MTZ28-9VI	48	8.4	1	0.95	23
	MTZ032	MTZ32-1VI	MTZ32-3VI	MTZ32-4VI	MTZ32-7VI	MTZ32-9VI	54	9.4	1	0.95	24
	MTZ036	MTZ36-1VI	MTZ36-3VI	MTZ36-4VI	MTZ36-7VI	MTZ36-9VI	60	10.5	1	0.95	25
	MTZ040	MTZ40-1VI	MTZ40-3VI	MTZ40-4VI			68	11.8	1	0.95	26
	MTZ044	MTZ44-1VI	MTZ44-3VI	MTZ44-4VI	MTZ44-7VI	MTZ44-9VI	76	13.3	2	1.8	37
	MTZ050	MTZ50-1VI	MTZ50-3VI	MTZ50-4VI	MTZ50-7VI	MTZ50-9VI	86	14.9	2	1.8	37
	MTZ056	MTZ56-1VI	MTZ56-3VI	MTZ56-4VI	MTZ56-7VI	MTZ56-9VI	96	16.7	2	1.8	39
	MTZ064	MTZ64-1VI	MTZ64-3VI	MTZ64-4VI		MTZ64-9VI	108	18.7	2	1.8	39
	MTZ072		MTZ72-3VI	MTZ72-4VI		MTZ72-9VI	121	21.0	2	1.8	40
	MTZ080		MTZ80-3VI	MTZ80-4VI		MTZ80-9VI	136	23.6	2	1.8	40
MTZ100		MTZ100-3VI	MTZ100-4VI	MTZ100-7VI	MTZ100-9VI	171	29.8	4	3.9	60	
MTZ125		MTZ125-3VI	MTZ125-4VI	MTZ125-7VI	MTZ125-9VI	215	37.5	4	3.9	64	
MTZ144		MTZ144-3VI	MTZ144-4VI	MTZ144-7VI	MTZ144-9VI	242	42.1	4	3.9	67	
MTZ160		MTZ160-3VI	MTZ160-4VI	MTZ160-7VI	MTZ160-9VI	272	47.3	4	3.9	67	
MTZ200			MTZ200T4SA			2 x 171	2 x 29.8	2 x 4	2 x 3.9	134	
MTZ250			MTZ250T4SA			2 x 215	2 x 37.5	2 x 4	2 x 3.9	142	
MTZ288			MTZ288T4SA			2 x 242	2 x 42.1	2 x 4	2 x 3.9	148	
MTZ320			MTZ320T4SA			2 x 272	2 x 47.3	2 x 4	2 x 3.9	148	





Quick reference

Performance data

MTZ - R407A

Model	To	-30		-25		-20		-15		-10		-5		0		5		10	
		Tc	Qo	Pe	Qo	Pe	Qo	Pe	Qo	Pe	Qo	Pe	Qo	Pe	Qo	Pe	Qo	Pe	Qo
MTZ018	45	350	0.58	680	0.75	1 100	0.92	1 630	1.07	2 280	1.23	3 080	1.36	4 020	1.48	5 140	1.59	6 450	1.66
MTZ022	45	570	0.72	1 000	0.93	1 570	1.13	2 270	1.32	3 150	1.51	4 200	1.68	5 460	1.83	6 940	1.97	8 660	2.07
MTZ028	45	680	0.89	1 310	1.19	2 080	1.48	3 000	1.75	4 110	2.00	5 430	2.23	6 990	2.44	8 790	2.63	10 880	2.78
MTZ032	45	930	1.05	1 640	1.38	2 500	1.70	3 540	2.00	4 780	2.28	6 250	2.55	7 970	2.79	9 980	3.01	12 280	3.21
MTZ036	45	1 160	1.27	2 000	1.62	3 000	1.97	4 190	2.31	5 600	2.62	7 250	2.92	9 170	3.19	11 390	3.44	13 930	3.64
MTZ040	45	1 420	1.45	2 420	1.88	3 560	2.28	4 880	2.66	6 420	3.02	8 210	3.35	10 270	3.65	12 640	3.92	15 360	4.16
MTZ044	45	1 210	1.35	2 160	1.76	3 320	2.15	4 730	2.50	6 430	2.83	8 450	3.12	10 840	3.39	13 620	3.63	16 840	3.85
MTZ050	45	1 510	1.64	2 570	2.08	3 900	2.50	5 520	2.90	7 500	3.28	9 870	3.62	12 670	3.93	15 950	4.21	19 750	4.43
MTZ056	45	1 540	1.72	2 690	2.21	4 120	2.68	5 890	3.14	8 040	3.58	10 630	3.99	13 710	4.36	17 320	4.69	21 530	4.98
MTZ064	45	1 930	1.97	3 280	2.58	4 970	3.17	7 040	3.74	9 560	4.29	12 600	4.79	16 200	5.26	20 440	5.67	25 370	6.03
MTZ072	45	2 270	2.32	3 760	2.95	5 630	3.57	7 920	4.18	10 690	4.77	14 010	5.33	17 920	5.85	22 490	6.32	27 770	6.73
MTZ080	45	2 820	2.67	4 660	3.50	6 850	4.28	9 460	5.02	12 550	5.71	16 180	6.37	20 420	6.97	25 330	7.54	30 970	8.06
MTZ100	45	2 880	3.39	5 100	4.37	7 760	5.29	10 940	6.13	14 720	6.89	19 190	7.57	24 420	8.16	30 490	8.67	37 490	9.08
MTZ125	45	4 140	4.39	6 780	5.47	10 050	6.55	14 030	7.59	18 840	8.60	24 560	9.55	31 310	10.44	39 180	11.24	48 260	11.94
MTZ144	45	5 080	5.19	8 290	6.45	12 140	7.67	16 730	8.85	22 180	9.98	28 590	11.05	36 090	12.05	44 770	12.97	54 750	13.79
MTZ160	45	5 590	5.81	9 130	7.26	13 350	8.65	18 390	10.00	24 350	11.30	31 360	12.57	39 540	13.82	49 020	15.03	59 900	16.24
MTZ200	45	5 760	6.78	10 200	8.75	15 520	10.57	21 880	12.25	29 440	13.77	38 380	15.13	48 840	16.32	60 990	17.33	74 990	18.15
MTZ250	45	8 290	8.77	13 570	10.94	20 090	13.09	28 060	15.19	37 670	17.20	49 120	19.11	62 620	20.87	78 350	22.47	96 520	23.87
MTZ288	45	10 160	10.39	16 580	12.89	24 270	15.33	33 450	17.70	44 350	19.96	57 180	22.10	72 180	24.10	89 540	25.94	109 500	27.58
MTZ320	45	11 190	11.63	18 260	14.52	26 710	17.30	36 770	19.99	48 690	22.61	62 720	25.15	79 080	27.63	98 030	30.07	119 800	32.47

MTZ - R407F

Model	To	-25		-20		-15		-10		-5		0		5		10	
		Tc	Qo	Pe	Qo	Pe	Qo	Pe	Qo	Pe	Qo	Pe	Qo	Pe	Qo	Pe	Qo
MTZ018	45	710	0.84	1 160	0.99	1 720	1.15	2 410	1.30	3 240	1.44	4 240	1.57	5 410	1.67	6 780	1.73
MTZ022	45	1 060	1.04	1 660	1.22	2 400	1.41	3 310	1.60	4 410	1.77	5 730	1.93	7 290	2.06	9 110	2.16
MTZ028	45	1 350	1.30	2 170	1.57	3 150	1.84	4 320	2.11	5 710	2.36	7 340	2.58	9 250	2.77	11 440	2.91
MTZ032	45	1 720	1.46	2 630	1.75	3 720	2.04	5 020	2.33	6 560	2.60	8 370	2.85	10 480	3.07	12 920	3.25
MTZ036	45	2 100	1.79	3 170	2.12	4 420	2.45	5 890	2.78	7 610	3.09	9 620	3.37	11 950	3.61	14 630	3.79
MTZ040	45	2 520	2.05	3 720	2.43	5 110	2.81	6 730	3.18	8 610	3.53	10 790	3.85	13 300	4.13	16 180	4.36
MTZ044	45	2 290	1.95	3 520	2.30	5 000	2.66	6 770	2.99	8 880	3.30	11 380	3.58	14 300	3.82	17 700	4.02
MTZ050	45	2 730	2.26	4 130	2.69	5 830	3.10	7 890	3.48	10 360	3.82	13 300	4.13	16 740	4.40	20 760	4.62
MTZ056	45	2 850	2.44	4 360	2.88	6 210	3.34	8 460	3.79	11 170	4.22	14 390	4.61	18 190	4.94	22 630	5.19
MTZ064	45	3 500	2.85	5 270	3.41	7 440	3.97	10 070	4.53	13 230	5.07	17 010	5.55	21 460	5.97	26 660	6.30
MTZ072	45	4 010	3.28	5 970	3.86	8 360	4.45	11 250	5.05	14 700	5.63	18 800	6.17	23 600	6.64	29 190	7.02
MTZ080	45	4 950	3.88	7 250	4.60	9 980	5.33	13 200	6.05	16 990	6.73	21 430	7.36	26 580	7.92	32 530	8.41
MTZ100	45	5 350	4.81	8 180	5.67	11 530	6.51	15 490	7.29	20 160	8.00	25 630	8.61	32 020	9.11	39 390	9.47
MTZ125	45	7 220	6.08	10 650	7.06	14 800	8.07	19 810	9.10	25 790	10.09	32 850	11	41 120	11.80	50 710	12.45
MTZ144	45	8 810	7.11	12 840	8.22	17 640	9.38	23 320	10.54	30 020	11.67	37 870	12.72	46 980	13.64	57 500	14.39
MTZ160	45	9 700	8.04	14 130	9.30	19 390	10.61	25 610	11.94	32 930	13.27	41 490	14.56	51 440	15.79	62 900	16.94
MTZ200	45	10 700	9.62	16 360	11.34	23 060	13.01	30 980	14.57	40 320	15.99	51 270	17.22	64 030	18.22	78 790	18.94
MTZ250	45	14 440	12.17	21 300	14.11	29 610	16.15	39 620	18.19	51 570	20.17	65 700	22	82 240	23.61	101 430	24.90
MTZ288	45	17 610	14.22	25 690	16.43	35 280	18.75	46 650	21.08	60 050	23.34	75 730	25.43	93 960	27.27	114 990	28.77
MTZ320	45	19 390	16.08	28 260	18.60	38 780	21.21	51 220	23.88	65 860	26.53	82 980	29.12	102 870	31.59	125 800	33.88

Legend: To: Evaporating temperature in °C      Qo: Cooling capacity in W      Superheat = 11.1 K      Voltage: 460V / 3 / 60 Hz  
Tc: Condensing temperature in °C      Pe: Power input in kW      Subcooling = 8.3 K

# Danfoss Commercial Compressors

is a worldwide manufacturer of compressors and condensing units for refrigeration and HVAC applications. With a wide range of high quality and innovative products we help your company to find the best possible energy efficient solution that respects the environment and reduces total life cycle costs.

We have 40 years of experience within the development of hermetic compressors which has brought us amongst the global leaders in our business, and positioned us as distinct variable speed technology specialists. Today we operate from engineering and manufacturing facilities spanning across three continents.



Our products can be found in a variety of applications such as rooftops, chillers, residential air conditioners, heatpumps, coldrooms, supermarkets, milk tank cooling and industrial cooling processes.

[HTTP://CC.DANFOSS.COM](http://cc.danfoss.com)

Danfoss Commercial Compressors, BP 331, 01603 Trévoux Cedex, France | +334 74 00 28 29



Danfoss can accept no responsibility for possible errors in catalogues, brochures and other printed material. Danfoss reserves the right to alter its products without notice. This also applies to products already on order provided that such alterations can be made without subsequential changes being necessary in specifications already agreed. All trademarks in this material are property of the respective companies. Danfoss and the Danfoss logotype are trademarks of Danfoss A/S. All rights reserved.